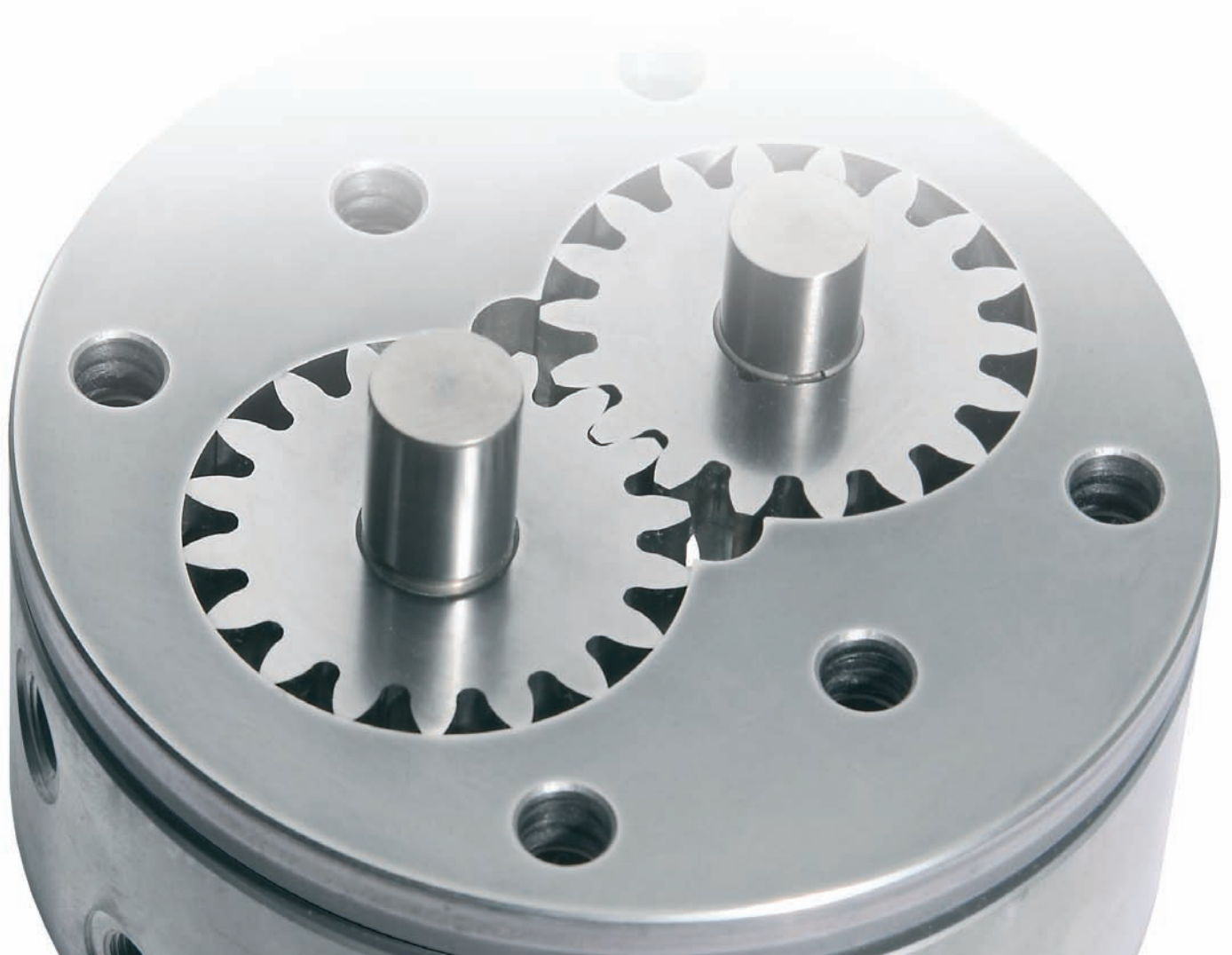


oerlikon
barmag

Precision gear metering pumps

For chemical applications



Gear metering pumps



Pump with magnetic coupling

The GM series - an all-inclusive range.

Since 1922, Oerlikon Barmag's gear metering pumps have been used worldwide as process engineering components in applications involving chemicals, plastics, colours & dyes as well as PUR. Oerlikon Barmag is continuously broadening its delivery range through consistent advancements based on customers' requirements. The metering pump series for chemical

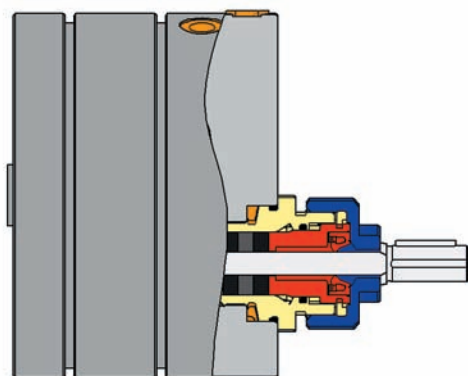
applications is available with volumetric outputs ranging from 0.05 - 200 cm³/revolution. This series is characterized by short flow channels; all parts coming into contact with flow media are made of basic material 1.4112.

These dosing pumps are used mainly for highly precise metering of chemical fluids. Accurate metering at high pressure is guaranteed even under the most difficult operating conditions involving light and toxic media.

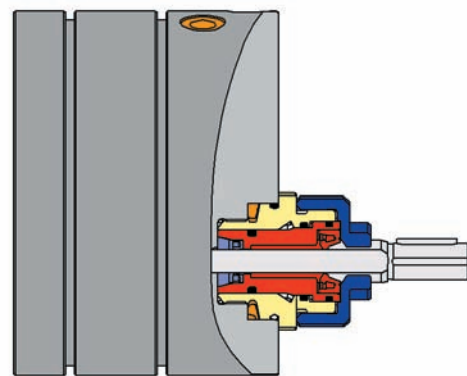
Highlights

- Volumetric output of 0.05 - 200 cm³/revolution
- Short flow channels
- Plate packet with O-ring seal
- Special wheel bearing design, to cover a wide metering range
- Temperature sensor bore included in every pump
- Pumps available in alternative materials (1.4571, 1.3343)

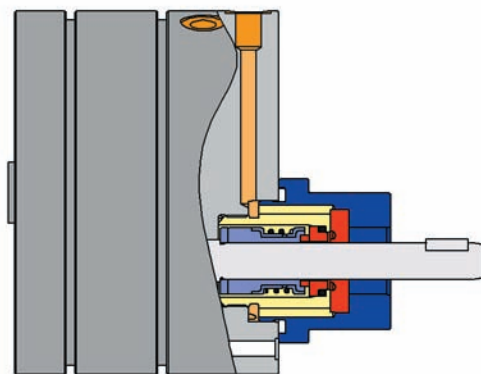
Design variants



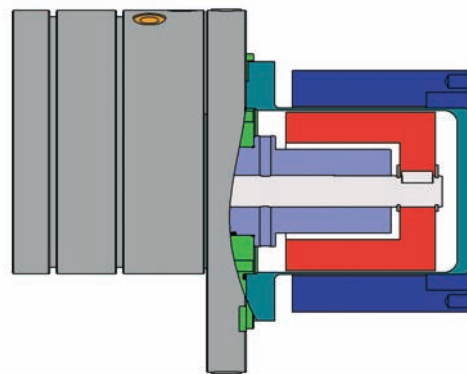
Stuffing box



Shaft sealing ring



Mechanical seal



Magnetic coupling

Optional accessories

- Gear motor with frequency inverter (Profi-bus compatibility)
- Operating unit for speed control
- Heating sleeves
- Wear-resistant coating (DLC)
- Prepared for operation with buffer fluid
- ATEX certificate
- Clean Air Guidelines (TA-Luft)

Oerlikon Barmag

Zweigniederlassung der
Oerlikon Textile GmbH & Co. KG
Leverkuser Straße 65
P.O. Box 11 02 40
42862 Remscheid
GERMANY
Phone +49 21 91 67-0
Fax +49 21 91 67-12 04
www.pumps.barmag.com
pumpsales@barmag.de

Oerlikon Textile Inc.

8801 South Boulevard
P.O. Box 70 46
Charlotte N.C. 28241
U.S.A.
Phone +1 704 588 00 72
Fax +1 704 588 20 47
info@saurerinc.com

Oerlikon Textile Far East Ltd.

Units 3806B-3807
38/F, Wu Chung House
213, Queen's Road East
Wanchai, HONG KONG
P.R.CHINA
Phone +852 28 27 43 14
Fax +852 28 27 52 50
barmaghk@netvigator.com

Oerlikon Textile India Private Ltd.

306-309, Dalamal Tower
Nariman Point
Mumbai 400 021
INDIA
Phone +91 22 2850 813
Fax +91 22 2044 322
management@saurerindia.com

The information supplied in this
brochure is for guidance only.
We reserve the right to modify it
at any time.